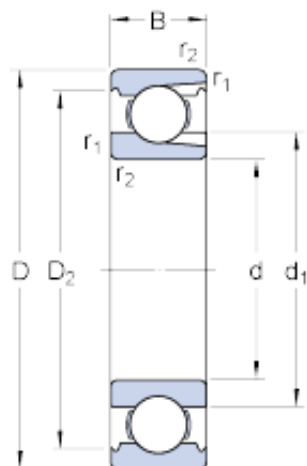




## BEARINGS (UK) LTD.



### NU 209 Cylindrical Roller Bearing SKF NU209ECP NU209 Bearing

Bearing No. 209

209 Bearing 2D drawings and 3D CAD models

Size	85x45x19 mm
Bore Diameter	85 mm
Outer Diameter	45 mm
Width	19 mm
d	45 mm
D	85 mm
B	19 mm
d <sub>1</sub>	57.6 mm
D <sub>2</sub>	75.19 mm
r <sub>1,2</sub> - min.	1.1 mm
d <sub>a</sub> - min.	52 mm
D <sub>a</sub> - max.	78 mm
r <sub>a</sub> - max.	1 mm
Basic dynamic load rating - C	35.2 kN
Basic static load rating - C <sub>0</sub>	30 kN
Fatigue load limit - P <sub>u</sub>	1.3 kN
Reference speed	14000 r/min
Limiting speed	8500 r/min
Calculation factor - k <sub>r</sub>	0.04
Category	Single Row Ball Bearings
Inventory	6.0
Manufacturer Name	SKF
Minimum Buy Quantity	N/A
Weight / Kilogram	0.45



## BEARINGS (UK) LTD.

EAN	7316576679629
Product Group	B00308
Enclosure	Open
Precision Class	ABEC 1   ISO P0
Maximum Capacity / Filling Slot	Yes
Rolling Element	Ball Bearing
Snap Ring	No
Internal Special Features	No
Cage Material	Steel
Internal Clearance	C0-Medium
Inch - Metric	Metric
Long Description	45MM Bore; 85MM Outside Diameter; 19MM Outer Race Diameter; Open; Ball Bearing; ABEC 1   ISO P0; Yes Filling Slot; No Snap Ring; No Internal Special Features
Category	Single Row Ball Bearing
UNSPSC	31171504
Harmonized Tariff Code	8482.10.50.68
Noun	Bearing
Keyword String	Ball
Manufacturer URL	<a href="http://www.skf.com">http://www.skf.com</a>
Manufacturer Item Number	209
Weight / LBS	0.99
Outer Race Width	0.748 Inch   19 Millimeter
Bore	1.772 Inch   45 Millimeter
Outside Diameter	3.346 Inch   85 Millimeter
bore diameter:	45 mm
static load capacity:	30 kN
outside diameter:	85 mm
precision rating:	ABEC 3 (ISO Class 6)



## BEARINGS (UK) LTD.

overall width:	19 mm
finish/coating:	Uncoated
bore type:	Round
cage material:	Steel
closure type:	Open
outer ring width:	19 mm
row type & fill slot:	Single Row Filling Slot
fillet radius:	1 mm
snap ring included:	Without Snap Ring
maximum rpm:	8500 RPM
internal clearance:	C0
series:	20
dynamic load capacity:	35.2 kN
thrust application warning:	This product can not be used in Thrust Applications
$d_1$	57.6 mm
$D_2$	75.19 mm
$r_{1,2}$ min.	1.1 mm
$d_a$ min.	52 mm
$D_a$ max.	78 mm
$r_a$ max.	1 mm
Basic dynamic load rating C	35.2 kN
Basic static load rating $C_0$	30 kN
Fatigue load limit $P_u$	1.27 kN
Calculation factor $k_r$	0.04
Mass bearing	0.44 kg